



# Low Voltage Combination Wave Lightning Surge Simulator

## CWS 120G

- IEC/EN 61000-4-5
- GB/T 17626.5

### Features

- >5.7-inch colorful touch screen;
- > As per IEC/EN 61000-4-5 and GB/T 17626.5;
- > Output voltage from 1 V to 1200 V;
- > Source impedance 2 ohm;
- > Built-in peak value measurement function, oscilloscope can be connected for observing waveform;
- > The peak voltage and peak current of output surge are displayed on screen in real-time;
- > With test sequence function;
- > LAN Ethernet Interface for PC remote control;

### Introduction

The CWS 120G series is a high-end testing equipment specifically designed to simulate low-voltage surge pulse interference phenomena. It is suitable for testing surge protection devices (such as TVS tubes, TSPDs, SIDAC, surge suppressors, etc.) and can also be used for surge immunity testing at the wafer or package level. The output voltage range is adjustable from 1 V to 1200 V, and the technical parameters fully meet the requirements of IEC/EN 61000-4-5 and GB/T 17626.5 standards. The CWS 120G design is based on the third-generation intelligent control platform, which has the advantages of high system integration, intelligent control, easy operation, and saving testing time.

### Application Areas



## Technical Parameters

Standard	IEC 61000-4-5
Test Voltage	1 V ~ 1200 V ( $\pm 10\%$ )
Voltage Waveform	Rise time : 1.2 $\mu\text{s} \pm 30\%$ , Pulse width: 50 $\mu\text{s} \pm 20\%$
Test Current	0.5 A-600 A ( $\pm 10\%$ )
Current Waveform	Rise time : 8 $\mu\text{s} \pm 20\%$ , Pulse width: 20 $\mu\text{s} \pm 20\%$
Source Impedance	2 ohm
Polarity	Positive, negative, alternative
Pulse Repetition	1 s ~ 9999 s
Counter	1 ~ 9999
Trigger Mode	Manual, Auto, External
Test mode	Parameter scheduling setting

## General Parameters

Display Screen	5.7-inch TFT touch screen
Working Power	AC 110 V/220 V ( $\pm 10\%$ ) , 50 Hz /60 Hz (Default in mainland China: 220 V)
Fuse	6 A
Max. Power	200 W
Communication Mode	Ethernet LAN、RJ45
Failure Detection	The failure information will be displayed on LCD in front panel when failure occurs and interrupt the working of instrument.
Working Status Indication	LED indication and LCD display on front panel
Dimension(W*H*D)	19-inch/ 4U (450*192*620 mm)
Ambient Temperature	15 ° C -35 ° C
Relative Humidity	45% -75%
Atmospheric Pressure	86 kPa ~ 106 kPa

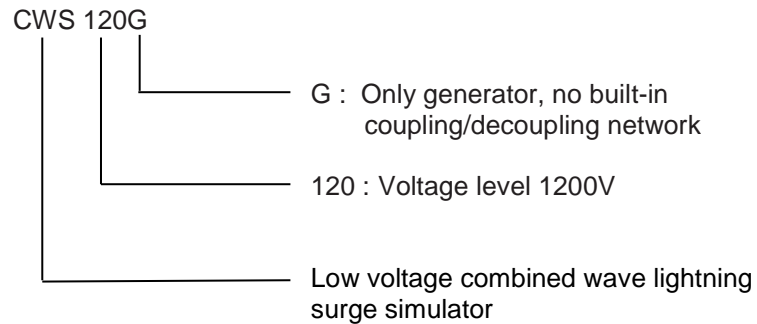
### Standard Accessories

Generator, Power line, Test lines, Ground line, User manual , Coaxial cable, Fuses

### Optional Accessories

External coupling/decoupling network SPN series: Need to be customized;  
Broadband current monitoring pliers :  
CM 0220M Attenuation : 0.01 V/A;  
CM 0103M Attenuation : 0.1 V/A;  
PC software: Corelab  
With PC installed WIN 7, WIN 8 and WIN 10, it can be easily operated to make the measurement, based on the customized test program. It can identify any device with automatic configuration. It can easily generate test reports.

### Names Rules



## SUZHOU3CTEST ELECTRONIC CO., LTD

Address: No. 99 E'meishan Road, SND, Suzhou, Jiangsu Province, China  
Sales Email: [globalsales@3ctest.cn](mailto:globalsales@3ctest.cn) Service Email: [service@3ctest.cn](mailto:service@3ctest.cn)  
Tel: + 86 - 512 - 68077192 Web: [www.3c-test.com](http://www.3c-test.com)

