



Current injection clamp calibrates the fixture

BCICF-400

- GJB 151B-2013
- MIL-STD-461E/F/G

— Introduction

BCICF-400 Current injection clamp Calibration fixture is used for calibrating and testing current injection clamp, current measurement probe, etc. Bcicf-400 is a broadband signal transmission/coupling device. It has the characteristics of wideband signal transmission, small voltage standing wave ratio and no distortion of waveform. Meet the needs of the national military standard GJB 151A-97, GJB 151B-2013, the U.S. military standard MIL-STD-461E/F/G CS114, CS115, CS116 test items, widely used in electromagnetic compatibility conduction sensitivity (immunity) test.

— Application Areas



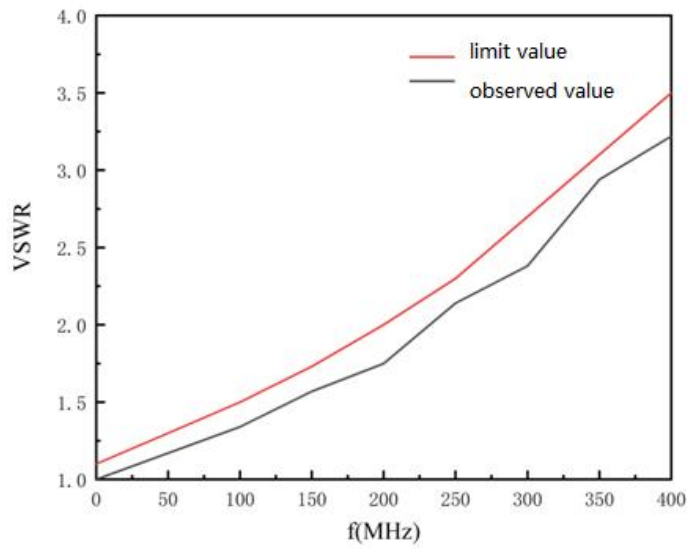
New energy



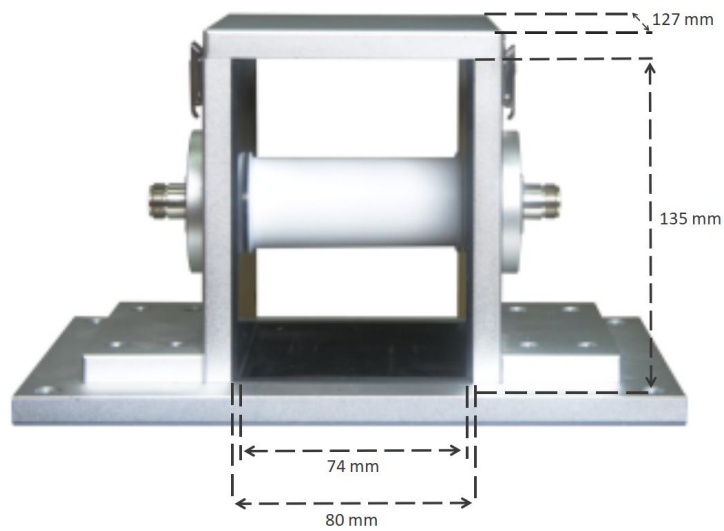
Electricity

Technical Parameters

Frequency	DC-400MHz
Characteristic impedance	50Ω
Voltage standing wave ratio	≤3.5
Inside length	80 mm
Inside width	127 mm
Inside height	135 mm
Weight	4.4Kg



Current coupling clamp calibration fixture voltage standing wave ratio curve



SUZHOU3CTEST ELECTRONIC CO., LTD

Address: No. 99 E'meishan Road, SND, Suzhou, Jiangsu Province, China
Sales Email: globalsales@3ctest.cn Service Email: service@3ctest.cn
Tel: + 86 - 512 - 68077192 Web: www.3c-test.com

