



Common Mode Conduction Anti-interference Coupling Network

CN 416M4N-32

■ IEC 61000-4-16

Features

- > Suitable for 4-wire common mode simultaneous injection;
- > Quick short-circuit switch for DC coupling;
- > Banana head terminal signal injection.

Introduction

The CN 416M2/M3-32 coupling network is suitable for (common mode conducted immunity) 4-wire cables, and its coupled common mode conducted immunity voltage can reach 300V. Design strictly in accordance with the requirements of IEC 61000-4-16:2015 standard.

Application Areas



Technical Parameters

Standard	IEC 61000-4-16:2015
Coupling Frequency	0 Hz-150 kHz, CW wave
Line Impedance	400 Ω * 4
Coupling Voltage	300V
Coupling Mode	4-wire common mode (simultaneously to ground)
Coupling Device	1 μ F capacitor
Working Voltage	Maximum 400V DC
Working Current	Maximum 32A
AE/EUT Port Type	4 mm banana head
Signal Injection Port Type	4 mm banana head

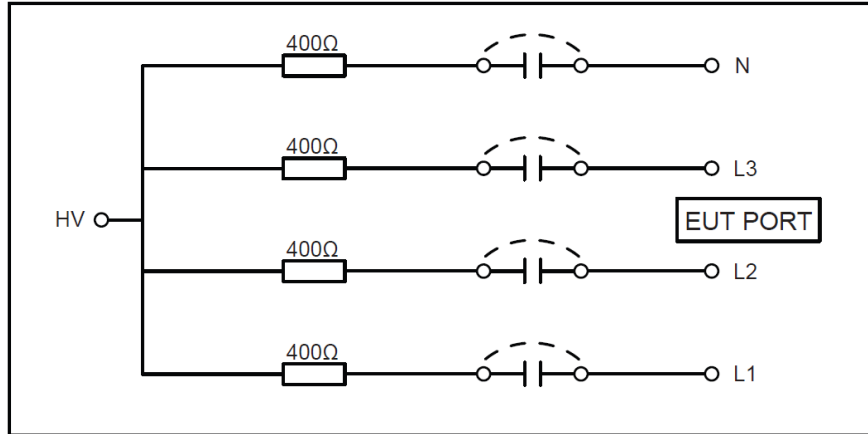
General Parameters

Weight	Approximately 3.6 kg
Size	360 mm x 220 mm x 135 mm (length x width x height)
Shell Material	Aluminum material
Ambient Temperature	15 ° C -35 ° C
Relative Humidity	45% -75%

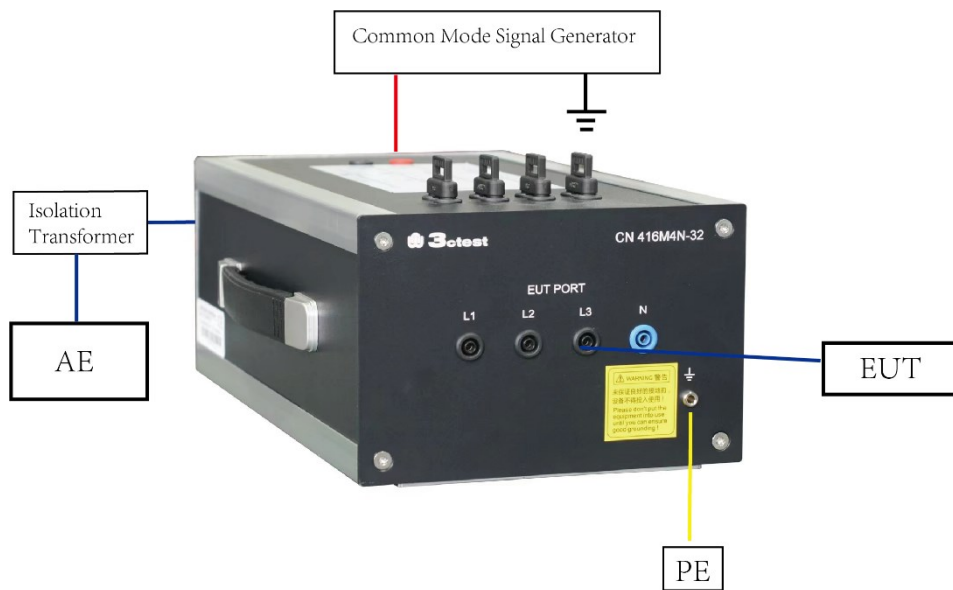
Standard Accessories

Test line, Plug

1. Standard Schematic Circuit



2. Test Connection Illustration



SUZHOU3CTEST ELECTRONIC CO., LTD

Address: No. 99 E'meishan Road, SND, Suzhou, Jiangsu Province, China
Sales Email: globalsales@3ctest.cn Service Email: service@3ctest.cn
Tel: + 86 - 512 - 68077192 Web: www.3c-test.com

